

BEFORE YOU START

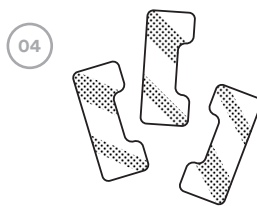
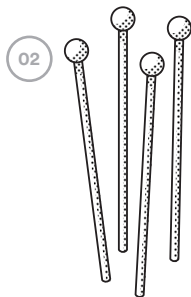
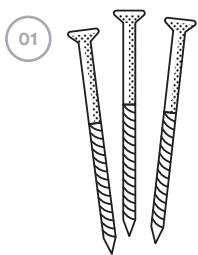
Find an open space on the floor where you can unpack and assemble your shutters, ideally in front of the window you're installing to. Make sure you have the tools you need and have located your hardware - look for the red marked box. You'll also need another person to help you when attaching the frame.

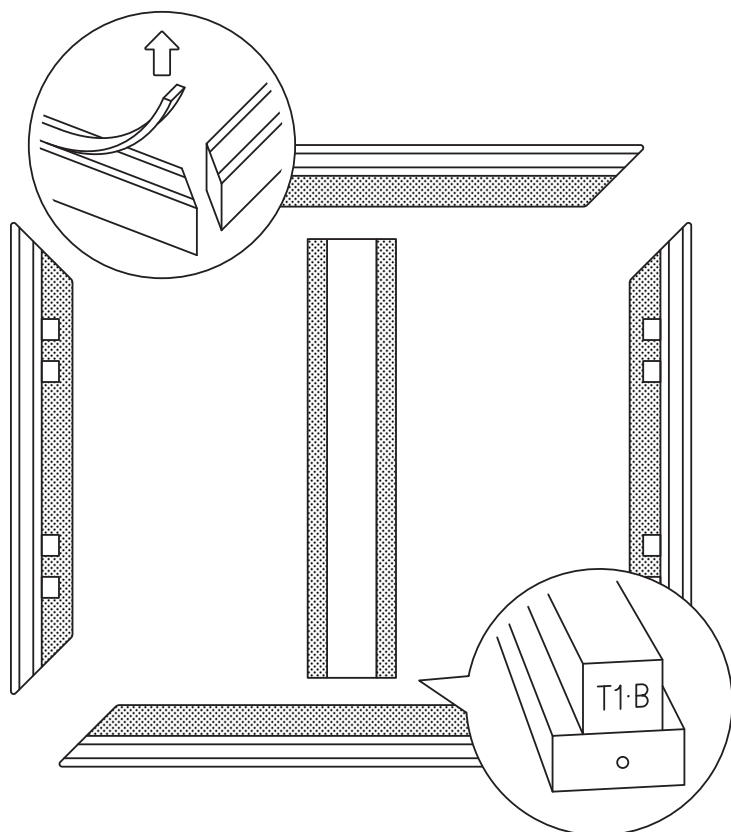
WHAT YOU'LL NEED

- 01 Cordless Drill
- 02 Phillips Head Screw Bit
- 03 Stanley Knife
- 04 Level

PARTS INCLUDED

- 01 Mounting Screws
- 02 Hinge Pins
- 03 Locking Screws
- 04 Hinge Packers

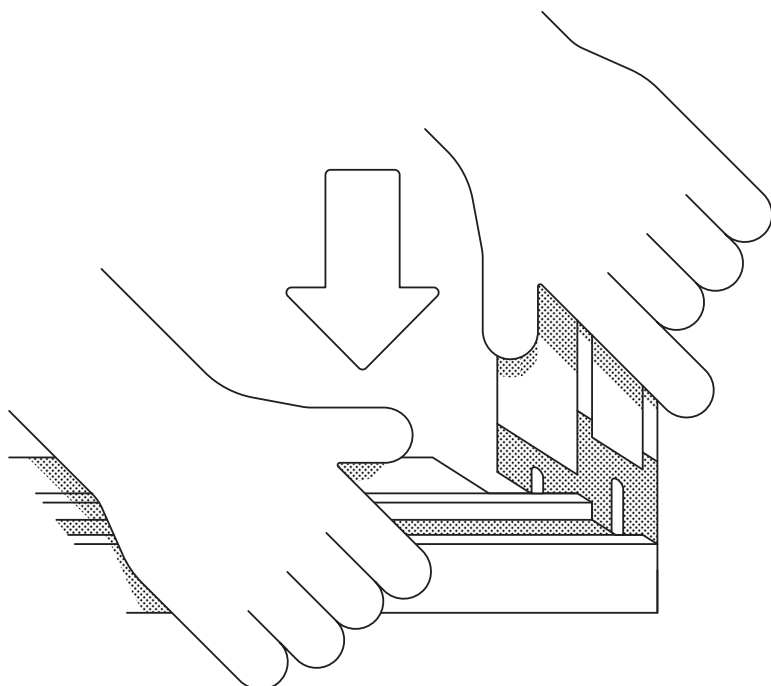




STEP 01

LAYING OUT YOUR FRAME

Start by opening your box carefully by cutting along the tape. The frame comes in four pieces marked left, right, top and bottom. Lay each component out, mirroring how you will lift the frame onto the window. Before assembling the frame, remove the cover strips. If you're installing a T Post, look for the labels - T for top and B for Bottom.



STEP 02

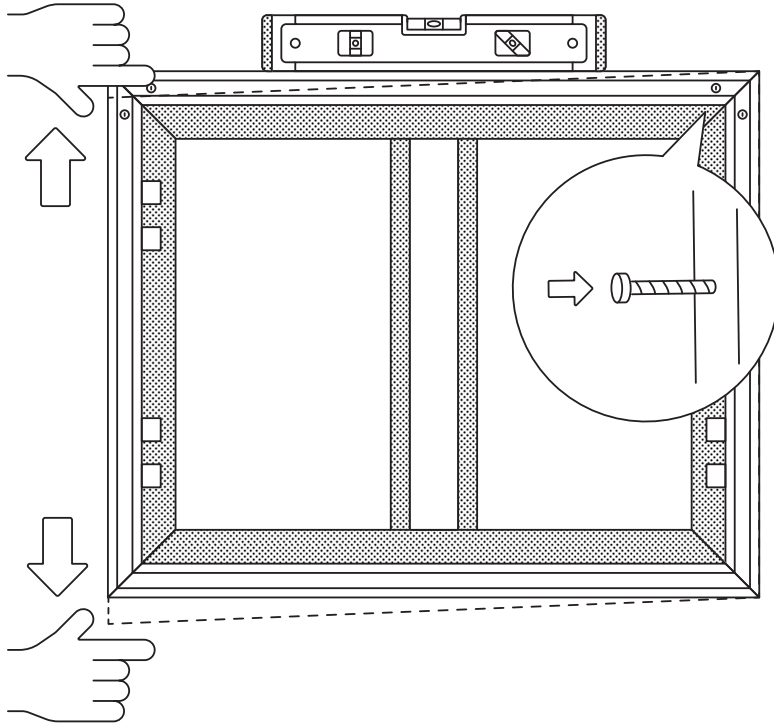
ASSEMBLING YOUR FRAME

Assemble by slotting the corners together and pushing down firmly so the edges are flush. If you're installing a T Post, screw it in place using the existing holes.

STEP 03

PUTTING THE FRAME IN PLACE

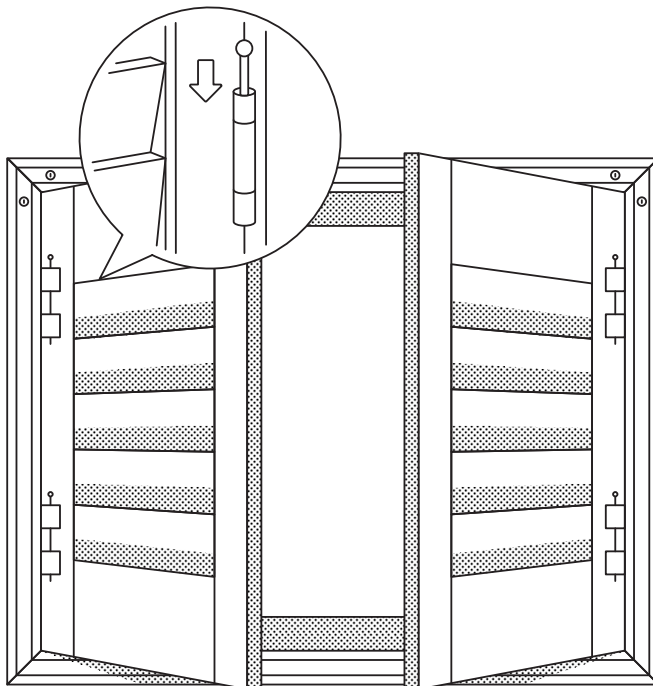
Have someone help you lift your assembled frame onto the window, temporarily holding it in place. Use the pre-drilled mounting holes to insert a single top screw to hold the frame in place. Use a level to get the frame straight before inserting the second screw. Screw in the top corners, but don't completely tighten these screws just yet.



STEP 04

INSTALLING YOUR SHUTTERS

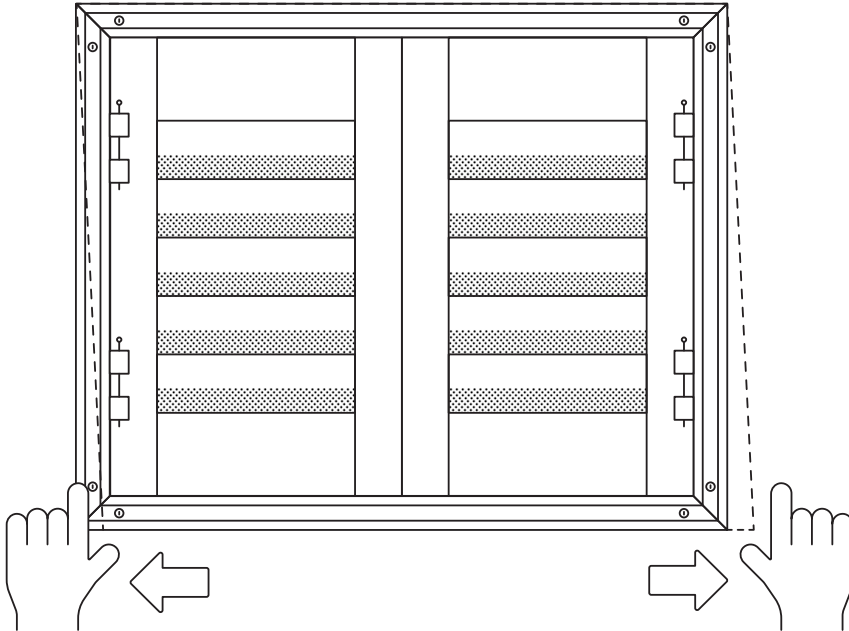
Attach the shutters to the frame using the hinges. Work left to right and lift your panels into place. Drop in the hinge pins to lock your shutters in place.



STEP 05

ADJUSTING YOUR SHUTTERS

Adjust your shutters left and right to make sure they line up. Your shutters are rigid, but at this stage, your frame is not. You can flex your frame slightly to get your shutters to sit perfectly square. Fix the frame in place by tightening the screws and using the rest of the pre-drilled holes.



STEP 06

FINISHING IT OFF

To make fine adjustments to a panel's position, loosen the hinge screws and slide in a hinge packer. You may also adjust the panel slightly up or down. When you're happy, screw in the locking screw. Finally, replace the cover strips you removed in Step 1.

